

SG Aluminum Vehicle Traffic Signal



EAGLE
Traffic Control Systems

Description

The standard signal is composed of three die-cast aluminum LED-ready body sections containing the door and visor. The basic construction design provides minimum weight combined with maximum rigidity and strength.

SG Aluminum Signals are available in both 8-inch and 12-inch diameters.

Features

Meets or exceeds ITE specifications..

Housing – One piece die-cast unit with serrations in 5° increments at each end. Each housing has provisions for mounting two terminal blocks and attaching backplates. Housings may be fastened together to make multi-section signals.

Door – One piece die-cast aluminum unit equipped with stainless steel hinge pins. Two stainless steel captive eyebolts and wing nuts permit easy access to the inside of the housing.

Visor – One piece formed aluminum unit. The removable twist-on visor is secured to the door with stainless steel hardware. Cap, tunnel, and full circle visors are available.

Positive Positioning – Positive positioning and locking is achieved through the use of serrated brackets, mast arm, or span wire fittings.

Hardware – Stainless steel material inside and outside.

Coating – Powder coated paint both inside and outside.



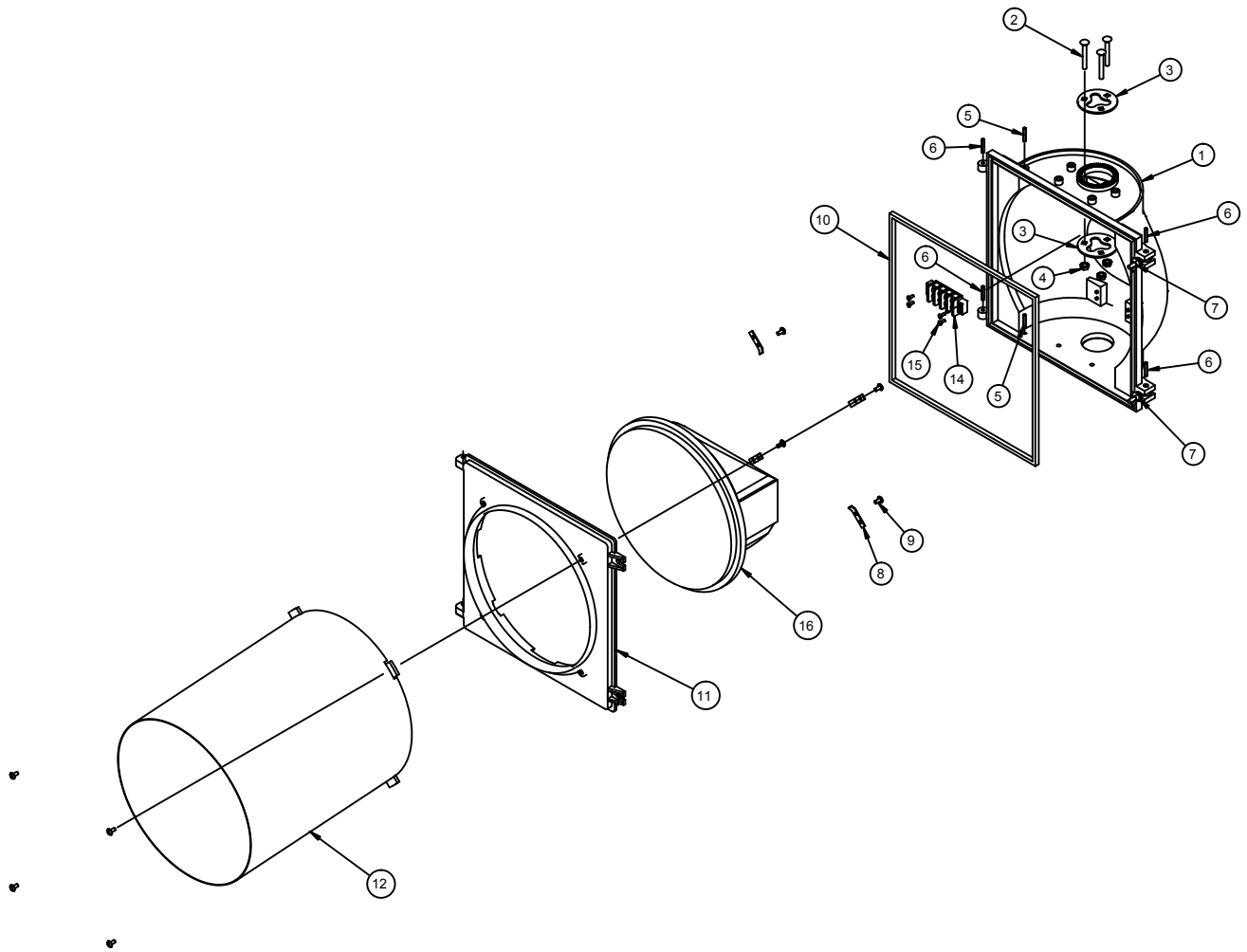
Eagle Traffic Control Systems continues our 80+ year history of providing excellence in the ever evolving traffic industry. All of Eagle's products are developed with the highest standards of engineering and manufacturing. Eagle maintains a superior level of integrity in interactions with all of our business partners and customers. We also take tremendous pride in being model corporate citizens.

SG Aluminum Vehicle Traffic Signal



EAGLE
Traffic Control Systems

Diagram



Eagle Traffic Control Systems is a division of:



SG Aluminum Vehicle Traffic Signal



EAGLE

Traffic Control Systems

Replacement Parts

Ref. No.	Description	Part Number	
		8" (200 mm)	12" (300 mm)
1	Signal Housing Green	A70182001	A70182101
	Signal Housing Yellow	A70182002	A70182102
	Signal Housing Black	A70282003	A70182103
2	Carriage Bolt (1/4 - 20 x 1 3/4")	A701101SS	A701101SS
3	Clamping Washer	M50417	M50417
4	Hex Nut (1/4 - 20)	M30221	M30221
5	Type 2 Grove Pin, SS (8" - 3/16 x 1")	A8 44030	N/A
	Type 2 Grove Pin, SS (12" - 3/16 x 1 3/16")	N/A	A702181
6	Spiral Pin, SS (3/16" x 1")	A144006	A144006
7	Wingnut Eyebolt Assembly	A844263	A844263
8	Lens clip, generic	A844361SS	A844361SS
9	Lens clip screw, SS (10 - x 3/8")	A144479TF	A144479TF
10	Door gasket	A701630	A701630
11	Signal door Green	A84424201	A84432201
	Signal door Yellow	A84424202	A84432202
	Signal door Black	A84424203	A84432203
12	Visor - tunnel	A852291 XX	A852307 XX
	Visor - cap	A852281 XX	A852305 XX
	Visor - full circle	A852283 XX	A852319 XX
13	Visor Screw (10 - 32 x 3/8")	A146082TF	A146082TF
14	Terminal block, 4 pos. spade type	A182944TX	A182944TX
	Terminal block, 6 pos. spade type	PCT100TX	PCT100TX
15	Machine screw, SS (6 - 32 x 3/4")	A16257312	A16257312

Visor Color Codes

No.	Color
14	Flat Black
10	Medium Green
11	Dark Olive Green
12	Yellow
13	Gloss Black

Weights

Piece	8" (200 mm)	12" (300 mm)
Single Section	6.3 lbs. (2.86 kg)	7.5 lbs. (3.4 kg)
Housing Only	4.2 lbs. (1.91 kg)	5.3 lbs. (2.41 kg)
Door Only	1.1 lbs. (0.5 kg)	1.5 lbs. (0.68 kg)
Visor Only	0.8 lbs. (0.36 kg)	1.4 lbs. (0.64 kg)

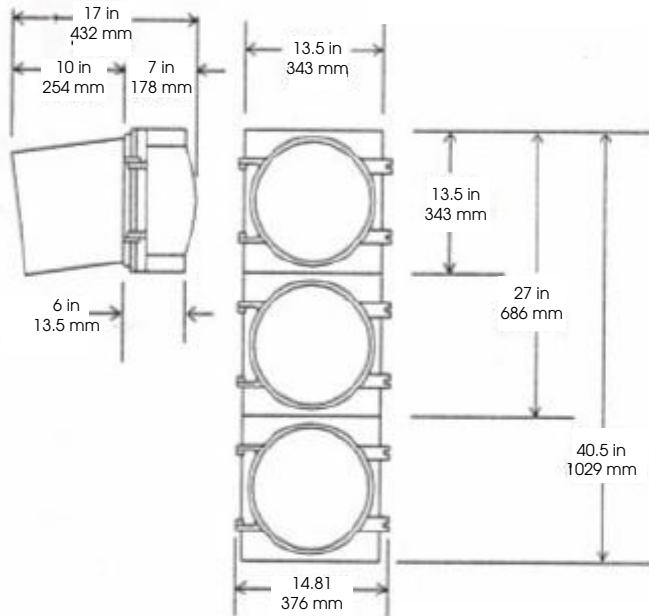
SG Aluminum Vehicle Traffic Signal



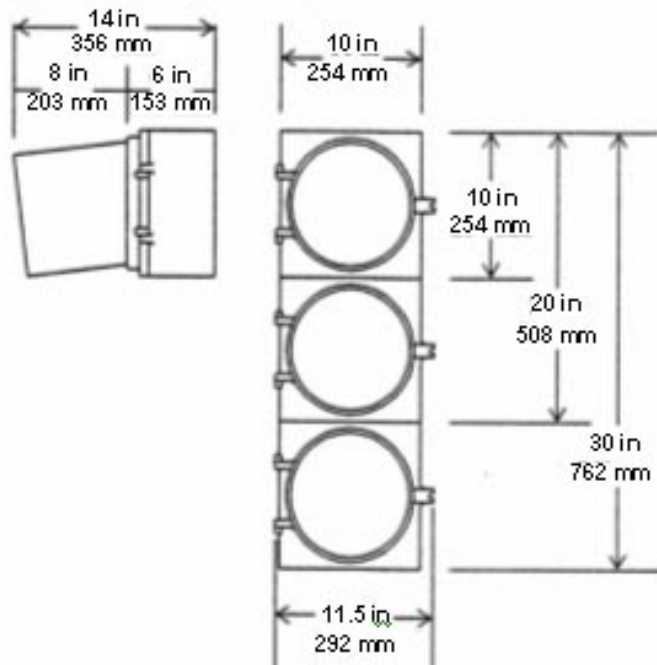
EAGLE

Traffic Control Systems

12" (300 mm) Signal Dimensions



8" (200 mm) Signal Dimensions



Eagle Traffic Control Systems is a division of:

